

POMO 300 -RU

DC Power System



GENERAL DESCRIPTION

POMO 300 is optimised for 24 V applications such as industry battery chargers and small telecom or industry systems. Depending on configuration the maximum output power is 240 W to 720 W.

The system is based on the PSM convection cooled rectifier and the MCU controller. The system may be placed on the wall, in rack or on top of other equipment.

POMO 300 -RU provides a compact, highly reliable and well-proven package, with components well suited for industry applications.

FEATURES

- Convection cooled
- 24 VDC
- Max output 240 W to 720 kW
- Wall or 19" rack-mounted
- W: 350-480 mm, H: 3U or 6U, D: 225 mm
- Compact design
- Highly reliable and well-proven design
- Rectifier: PSM 24-300
- Integrated controller

SPECIFICATIONS

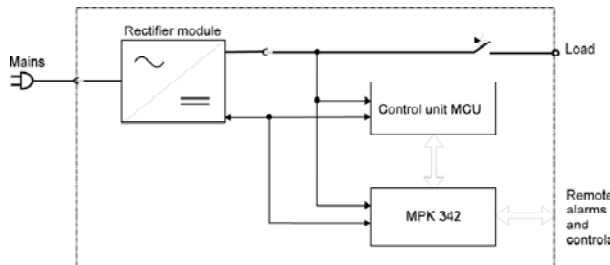
System configurations

Please refer to specific datasheets on Controller and Rectifier for further details and information on available options.

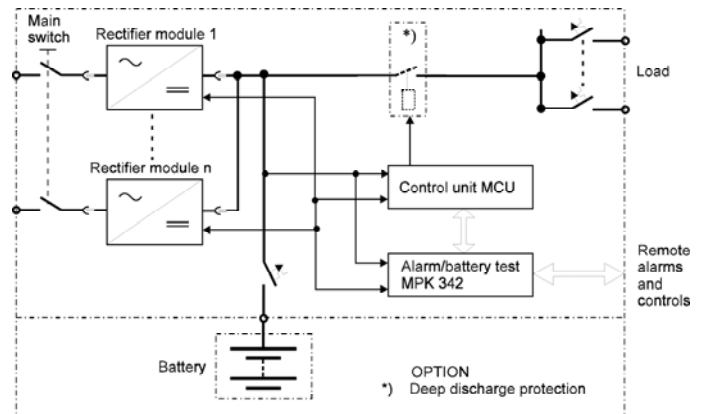
Description	24-300.1-RU	24-300.3-RU
Output volt min/nom/max	19/27/30 VDC	
Output power	8.5 A, 240 W	25.5 A, 720 W
Input current, P-N	187 VAC: 2 A	187 VAC: 5 A
Rectifier	PSM 24-300	
Output power charact	Constant current	
Max number of rect.	1	3
Input voltage	Nominal: 230 L-N,PE, Range: L-N: 187-264 VAC	
AC wiring	Standard IEC socket	Terminal block 2.5mm ² L,N,PE w/ mains switch 10A MCB
Input frequency	45 – 65 Hz	
Cooling	Convection cooled	
Temperature range	-5 to +50 degC	
Ground reference	Positive ground	
Battery connection	-	MCB: 1x 50A, Legrand
Load connection	1x 10A MCB, Legrand	up to 5x 1p MCB, 1-63A Legrand
Low volt disconnect	no	Load disconnect ("PLD") - optional
Controller	Main controller MCU 24 w/ alarm and battery test board MPK 342	
Approvals	CE, CB	

Block Diagram

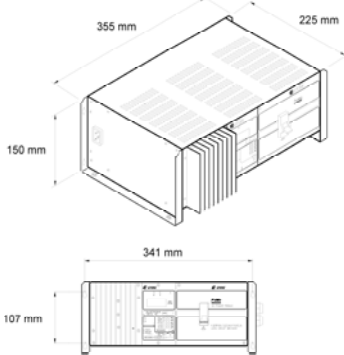
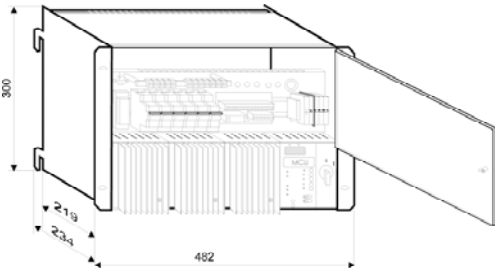
POMO 24-300.1-RU



POMO 24-300.3-RU



Enclosure

Description	24-300.1-RU	24-300.3-RU
Dimensions (HxWxD)	150mm x 355mm x 225mm	6U (300mm) x 19" (483mm) x 234mm
Weight	11 kg (excl rectifiers)	5 kg (excl rectifiers)
Placement	On wall On top of other equipment	In standard 19" structure (cabinet or open rack). On wall
Cabling outlet	Side wall (right hand)	Through top
Encapsulation class	IEC 529, IP20	IEC 529, IP20
Mechanical		

PRODUCT SELECTION GUIDE

Tailor your system

Population of the Load distribution section with appropriate MCB's, and adding the required system options tailors the POMO 24-300 -RU system to your needs.

Pre-defined System configurations

The systems listed come all-inclusive, apart from rectifier modules, protection devices for load, and accessories, which needs to be ordered separately. For options, please contact Efore sales representative.

Description	95M080-*	95M100-*
Configuration	POMO 24-300.1-RU	POMO 24-300.3-RU
Battery conn.	-	MCB: 1x 50A, breakers included
Load conn.	1x 10A MCB, Breaker included	Space for 5x 1p MCB, No breakers included
LVD	-	-
Accessories	-	Wall mount kit.
Options	-	Second battery MCB, 1x 50A 1x battery LVD

Rectifiers

Description	Part no.	Fits
PSM 24-300 (24V, 8.5A, 240W)	PM243-*	POMO 300 24-300.1 and .3

Protection devices – MCB Load

Description	Part no.	Description	Part no.
MCB 10A, C-curve	52500109	MCB 32A, C-curve	52500113
MCB 16A, C-curve	52500110	MCB 40A, C-curve	52500276
MCB 20A, C-curve	52500111	MCB 50A, C-curve	52500220
MCB 25A, C-curve	52500112	MCB 63A, C-curve	52500114

Accessories

Description	Part no.
Wall mount kit for -300.3, 300mm rails	OMP 8848

* Note, "-" to be replaced with revision letter (A,B,C,...) for a complete, valid product code.