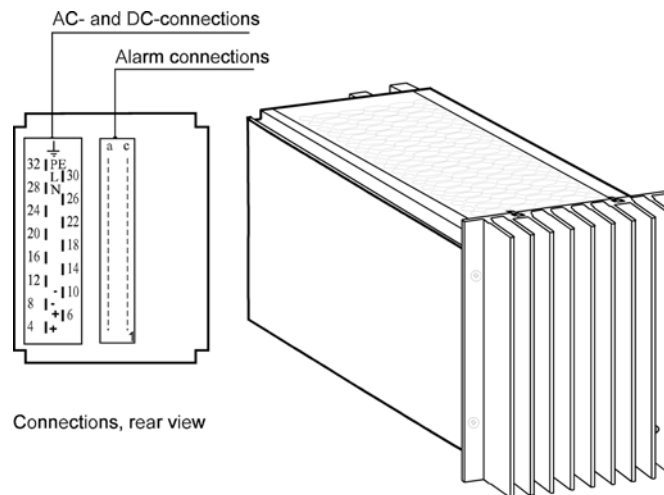


# PSM 24-300

## Rectifier Module



### GENERAL DESCRIPTION

PSM is a 240 W single-phase, convection cooled rectifier module for telecom and industry applications.

PSM 24-300 is used in POMO 24-300 DC power systems.

PSM 24-300 is designed and verified to meet international safety and other EMC standards stipulated by CE marking and environment test (surge).

### FEATURES

- Convection cooled
- 24 V
- 240 W
- EN 55022 Class B
- Extensive built-in alarm and signal interface

## SPECIFICATIONS

### General

Encapsulation classification	IEC 529/IP20
Safety	EN 60950, class 1
Efficiency	>88% (>150 W)
Operating temperature	-20 °C... +40 °C
Storage temperature	-40 °C...+70 °C
Relative humidity	5...95%,no cond.
Noise	< 30 dB (A)
Switching frequency	about 120 kHz
Size (HxWxD) mm	107x128x210
Weight	1,5 kg

### Input

Mains voltage	187-264 VAC, 1-phase
Mains frequency	45-65 Hz
Input current	2 A rms maximum
Input fuse	3,15 AT
Inrush current	< 7 A peak
EMC	EN 55022B, EN 61000-3-2
Environment	EN 61000-4-5
Mains fuse	maximum 10 A
Mains connection	Euro conector H15 (1+14) DIN41612, N28, L30, PE32

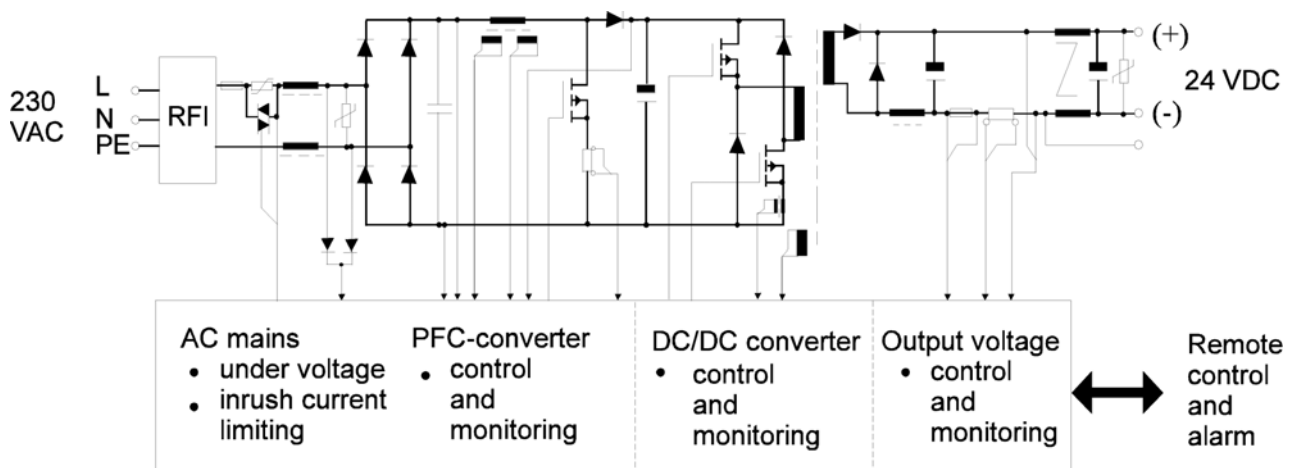
### Output

Output voltage	27,0 V
internal setting range	20-30 V
external setting range	19-30 V
Static accuracy	±1%
slope	0,2 V/8 A
Ripple (p-p)	< 200 mV
Psophometric noise	< 1 mV
Output power maximum	240 W
constant current limit	> 8,5 A
Selective overv. shut down	29 V ±1 V

### Signals

Mains voltage fault	Euro connector C32/ c12/14 c18/c20/c22(X1)
+	Euro connector H15/4, 6 (X203)
-	-" /8, 10
Output current signal	-" /14
GND	-" /16, 18, 12
Charge fault alarm	-" /20
Voltage set value	-" /22

## OPERATING PRINCIPLE



## PRODUCT SELECTION GUIDE

### Rectifier

Description	Part no.	Fits in
PSM 24-300 (24 VDC, 240W)	PM243-	POMO 24-300.1 and .3