

OPUS BATTERY CABINETS

Battery cabinets for front terminal batteries

Accessory to
OPUS DC Systems

BATTERY CABINETS

BC-2066 2000 x 600 x 600 mm

BC-1666 1600 x 600 x 600 mm



POWER
GENERATION &
DISTRIBUTION



PROCESS
INDUSTRY



DEFENCE &
SECURITY

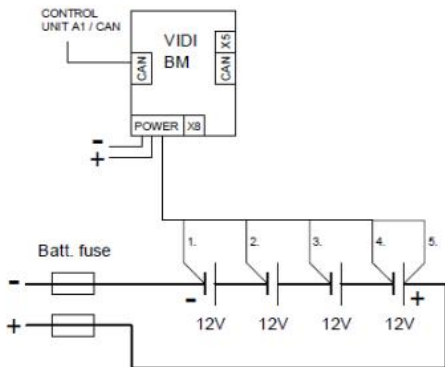


TELECOM



OPTION:

VIDI-BM battery block voltage monitoring



Product Description

OPUS BATTERY CABINETS are visually similar cabinets as OPUS power systems. Cabinets include 4 battery shelves and user terminals for connections in the cabinet. Batteries up 700kg and other user equipment can be installed to the cabinet.

Features:

- Battery shelves 320x530x595 mm, 4 pcs
- User terminals 35 mm² 8 pcs
- Cable entry from top, neopren cable glands – option bottom cable entry
- Adjustable legs

OPTIONS: 19" adapters, Battery shelf plates, protection top cover IP21

Order Information

Name	Order number	Description
BC-2066 OPUS	8160X0009188	OPUS Battery cabinet 2000 x 600 x 600 mm
BC-1666 OPUS	97M016	OPUS Battery cabinet 1600 x 600 x 600 mm



Efore Plc
P.O. Box 260 (Linnoitustie 4B), 02601 Espoo, FINLAND
Tel. +358 9 478 466, Fax +358 9 4784 6500
info@efore.com